







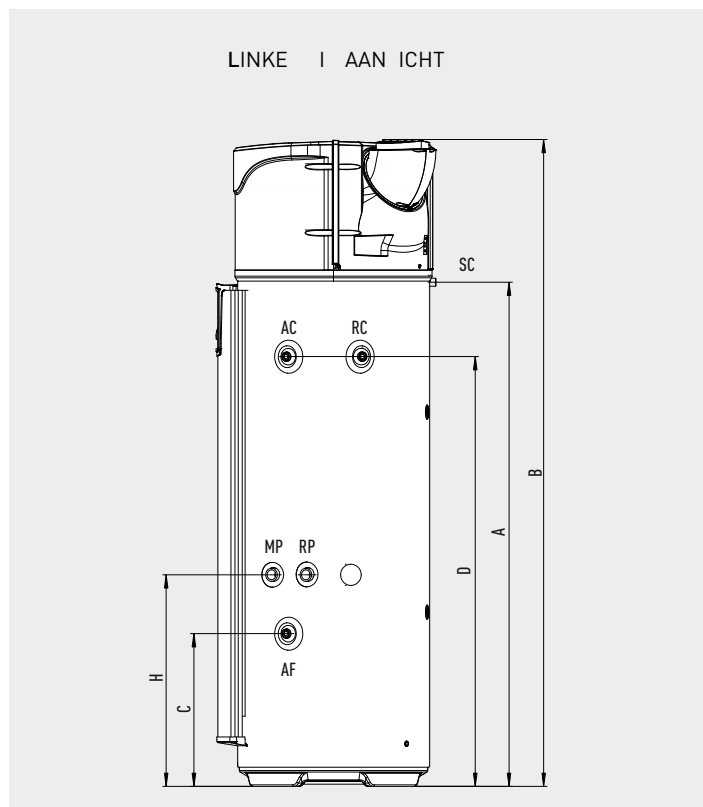








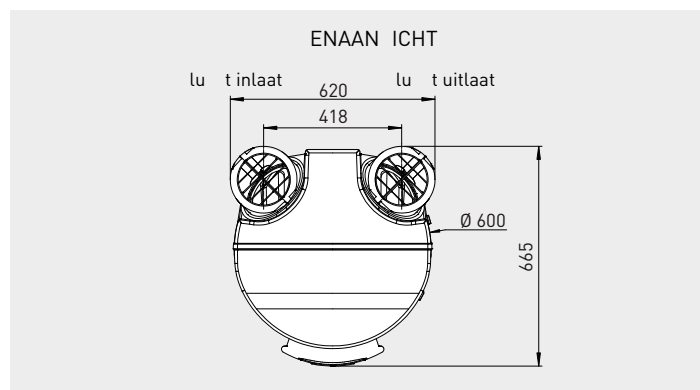
RAPAX 200/300 V3 AND 200/300 SOL V3



Key

AC	Warmwater uitgang ¾" M
AF	Koudwater inlaat ¾" M
MP	Aanvoer onne oiler (alleen SOL V3) 1" F
RP	Retour onne oiler (alleen SOL V3) 1" F
SC	Condensaat uitlaat Ø 20
RC	Ta water ir ulatie ¾" M (alleen SOL V3)

Het ge rui an en om at de in tallatie an een WW e an ie at en eilig eid le an de ui te grootte niet i de le ering in egre en Immerga le ert een e i ie e o tie it ie agina



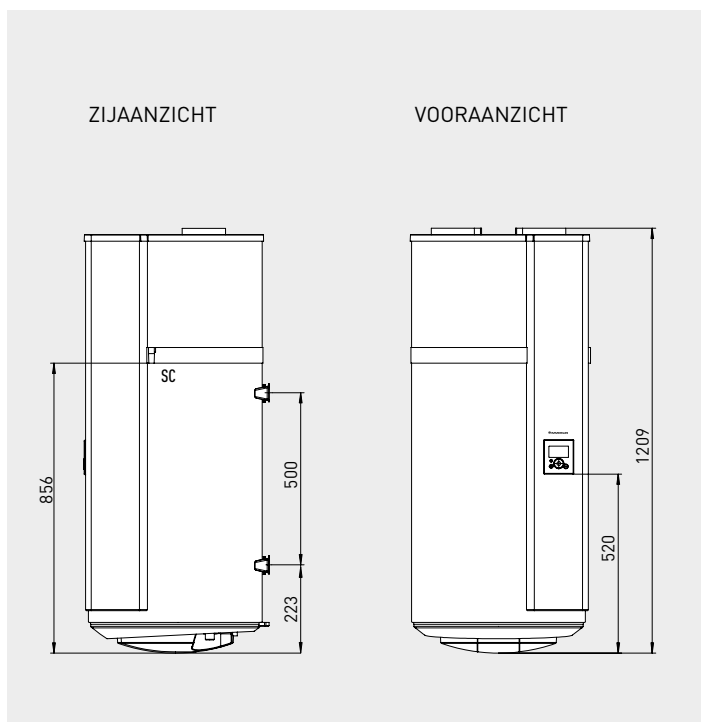
Symbool	Key	RAPAX 200 V3	RAPAX 300 V3	RAPAX 200 SOL V3	RAPAX 300 SOL V3
A	Condensaat uitlaat	1166 mm	1525 mm	1166 mm	1525 mm
B	Hoogte	1617 mm	1957 mm	1617 mm	1957 mm
C	Koudwater inlaat	304 mm	304 mm	462 mm	462 mm
D	Warmwater uitlaat	961 mm	1300 mm	961 mm	1300 mm
H	Aan luiting onnen oiler	-	-	640 mm	640 mm



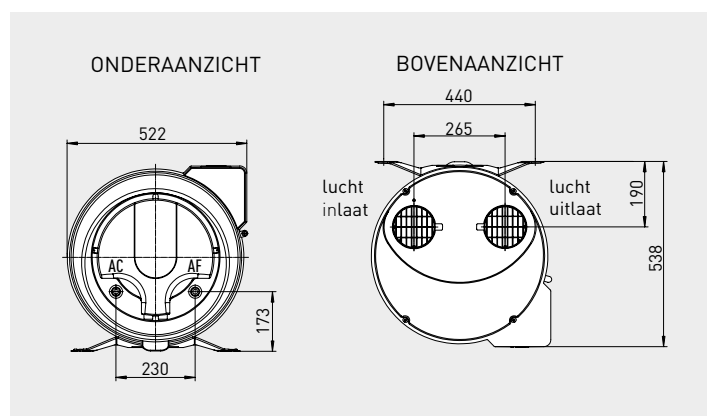
## RAPAX 100 V2

## Key

AC	Warmwater uitgang ¾" M
AF	Koudwater inlaat ¾" M
SC	Condensaat uitlaat Ø 20



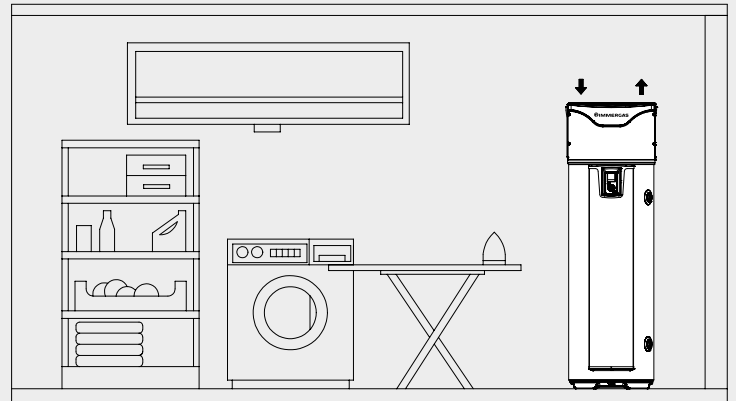
Het gebruik van RAPAX 100 V2 omvat de installatie van een SWW-expansievat en veiligheidsklep van de juiste grootte, niet inbegrepen in de levering (Immergas levert een specifieke optiekit, zie pagina 11).



**.01 INSTALLATION WITHOUT DUCTS IN UNHEATED SPACES (VOLUME > 20 M<sup>3</sup>)**

Very useful in a laundry, garage or utility room. In the laundry the advantage is the room dehumidification and the recovery of the wasted heat from washing machines and dryers.

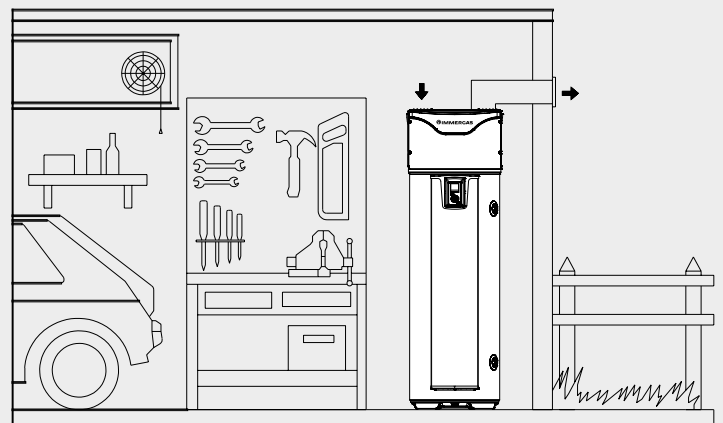
**.01**



**.02 INSTALLATION IN UNHEATED SPACES (VOLUME > 20 M<sup>3</sup>), WITH 1 EXPULSION DUCT**

In this case, a ventilation opening must be done.

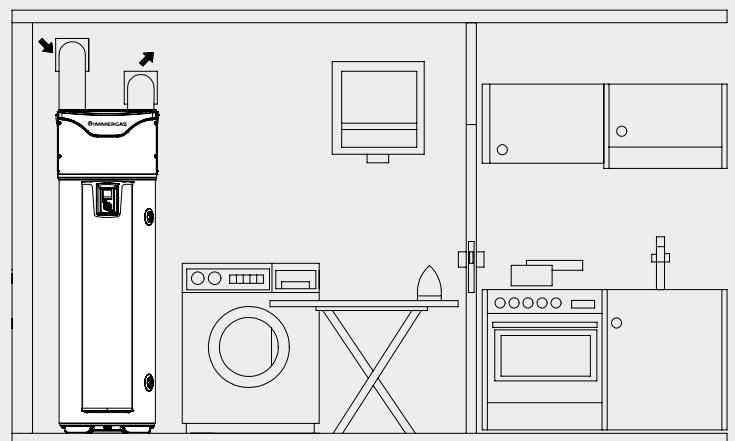
**.02**



**.03 INSTALLATION IN HEATED OR UNHEATED ROOMS, WITH 2 DUCTS FOR THE AIR (INTAKE AND EXPULSION)**

Comply the maximum ducts lengths (rif. Instruction manual). It's important to use insulated ducts, Ø 160 mm or Ø 125 mm (depending on the version) to avoid condense in a wet room and use grilles on air-intake and expulsion in order to avoid the entry of foreign bodies.

**.03**




The installation of the heat pump water heater requires an omni-polar circuitbreaker of 16 A and an earth leakage trip of 30 mA not given as standard with RAPAX.

## OPTIONAL

The wide range of accessories allows to complete the installation of each Immergas heat pump water heater. By using original kits the quality and reliability of products are granted.

### Safety valve

Tipologia		Codice
Safety valve 7 bar and 12 litres expansion vessel kit for RAPAX 200/300 V3 and 200/300 SOL V3		3.025231
Safety valve 7 bar and 5 litres expansion vessel kit for RAPAX 100 V2		3.028368

### Duct adapter

Duct adapter Ø 160* for RAPAX 200/300 V3 and 200/300 SOL V3		3.025232
---	---	----------

### Extension pipe kit

Ø 160 0,5 m long * for RAPAX 200/300 V3 e 200/300 SOL		3.024659
Ø 125 0,5 m long * for RAPAX 100 V2		3.016370
Ø 160 1 m long* for RAPAX 200/300 V3 and 200/300 SOL V3		3.024516
Ø 125 1 m long * for RAPAX 100 V2		3.016371
Ø 125 2 m long * for RAPAX 100 V2		3.015250

### Bend kit

87° bend kit Ø 160* for RAPAX 200/300 V3 and 200/300 SOL V3	3.024517
2 x 45° bend kit Ø 160* for RAPAX 200/300 V3 and 200/300 SOL V3	3.024518
87° bend kit Ø 125* for RAPAX 100 V2	3.016179
2 x 45° bend kit Ø 125* for RAPAX 100 V2	3.016180

### Inlet / exhaust pipes insulation kit, which includes:

<ul style="list-style-type: none"> <li>n.2 White polyethylene insulation layer, thickness 5 mm for pipe Ø 160 mm L. 1000 mm</li> <li>n.4 White polyethylene insulation layer, thickness 5 mm for bend Ø160 mm</li> <li>n.1 White polyethylene tape 2x70x4000 mm for RAPAX 200/300 V3 and 200/300 SOL V3</li> </ul>	3.027545
<ul style="list-style-type: none"> <li>n.2 White polyethylene insulation layer, thickness 5 mm for pipe Ø 125 mm L. 1000 mm</li> <li>n.4 White polyethylene insulation layer, thickness 5 mm for bend Ø 125 mm</li> <li>n.1 White polyethylene tape 2x70x4000 mm for RAPAX 100 V2</li> </ul>	3.028371

\* The ducts are required to intake and espulsion air on external. Its are not insulated.





[immergas.com](http://immergas.com)

Immergas S.p.A.  
42041 Brescello (RE) - Italy  
T. 0522.689011  
F. 0522.689178



**IMMERGAS**  
IMMERGAS SPA - ITALY  
CERTIFIED COMPANY  
UNI EN ISO 9001:2015

Design, manufacture and post-sale assistance of gas  
boilers, gas water heaters and related accessories